

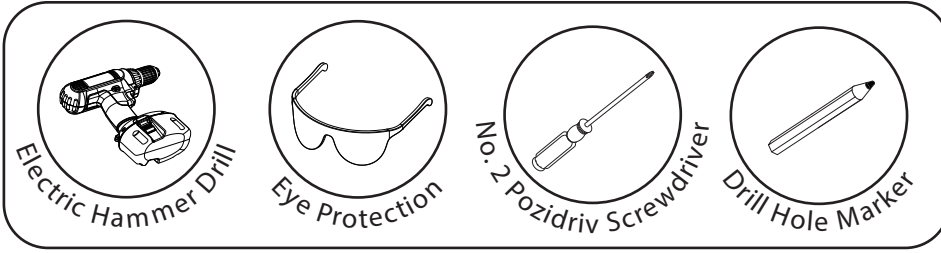


# Double Doofer - Fitting Overview

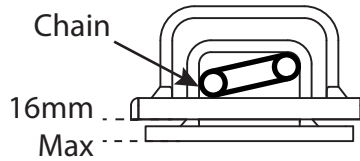
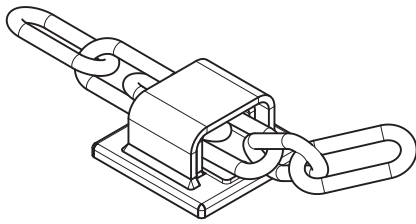
Aimed at **experienced/professional installers**

If less familiar with this installation, detailed instructions can be requested from your supplier.

## Required Tools



Must be used with an appropriately fitted Sold Secure approved lock and chain.

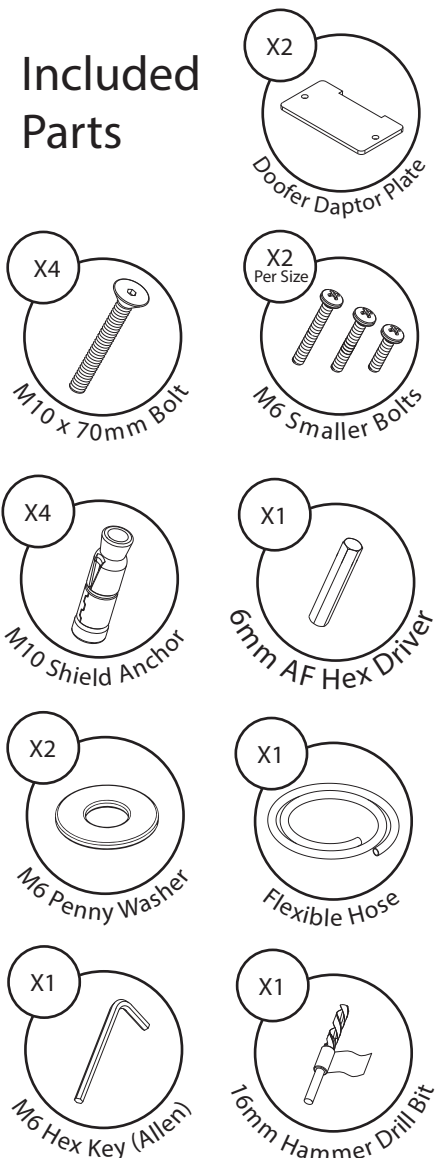


Closeness of the chain fit through the anchor is **CRITICAL** to the anchor's security.

With the chain through the middle (even without fabric sleeve), the cover plate must not lift by more than 16mm if its M6 bolts were removed. Step 9 on page 2 shows the bolts.

If the chain isn't thick enough, you can create a tighter fit by adding up to 2 Doofer Daptor 5mm Plates. Test this with your chain before installing!

## Included Parts

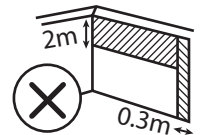


Chain	Daptor Plates	Notes
Protector 19mm	No Plates	Close fit
Protector 16mm	1 Plate	Two chains not possible
Protector 13mm	2 Plates	Tight fit with two chains
Protector 11mm	1 or 2 Plates	Chain must loop through twice

Minimum wall/floor thickness is 100mm.



Do not fit the anchor within 2.0m (6 feet) of a top edge of a wall or within 0.3m (1 foot) from a wall's end.



Check location is clear of pipes, cables, etc. We suggest using a pipe/cable detector.

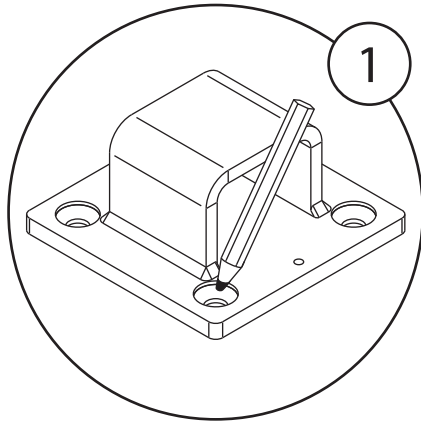


Do not fit it to loose or soft surfaces such as block paving, even if there is concrete or brick below.

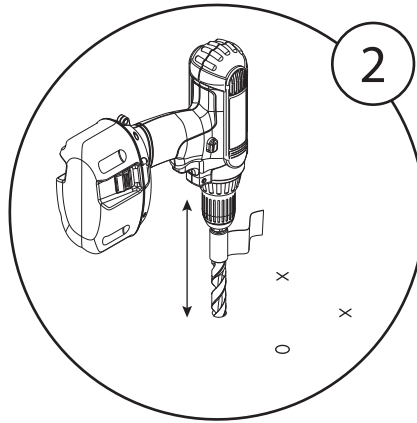


# Fitting Sequence

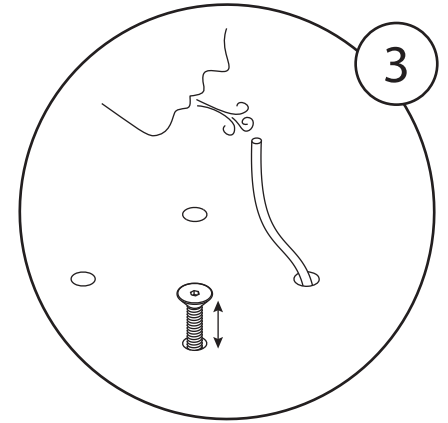
Check if you need to use the included adaptor plates on page 1 before starting!



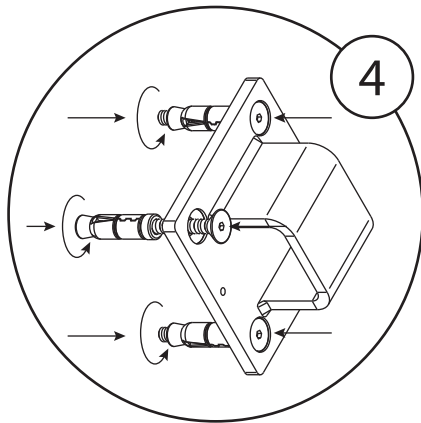
Place the baseplate at the desired location and mark the holes to drill.



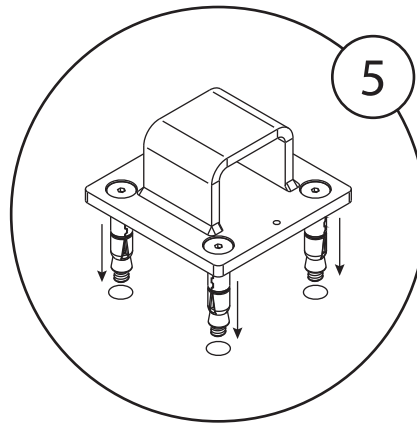
Drill each hole perpendicular to the wall until the tape touches the surface (at 70mm depth).



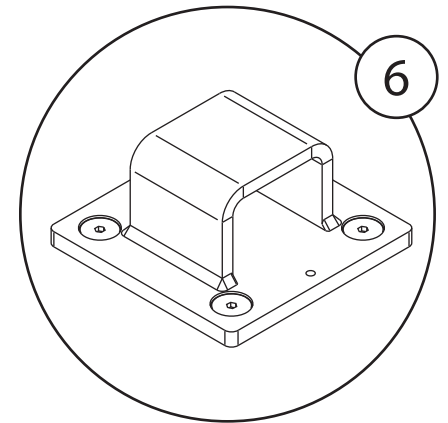
Use the hose to blow out all dust inside the hole. A bolt can also help to scrape dust away.



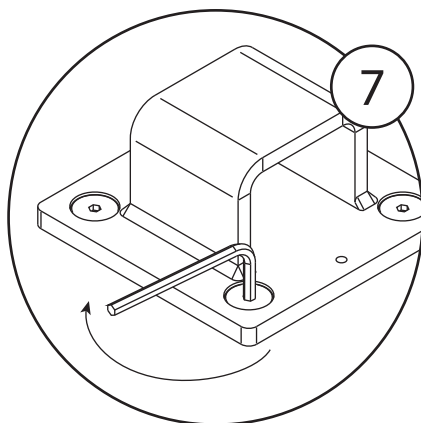
Away from the wall, push all bolts through base plate and **loosely** attach shield anchors.



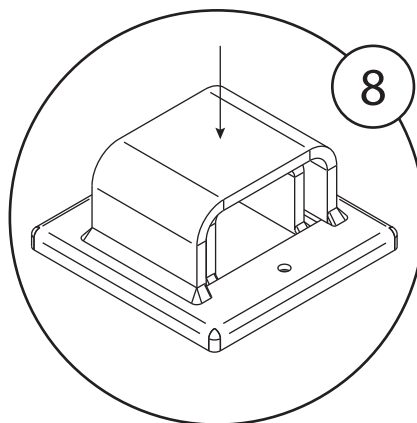
Align and push the baseplate so the bolts and shield anchors go into the drilled holes.



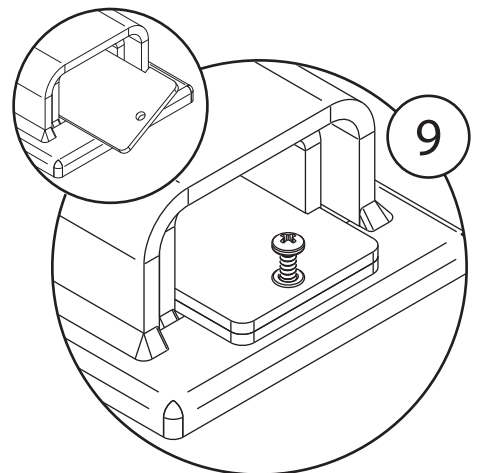
Ensure that the baseplate and bolts are firmly against the mounting surface.



Using the Allen Key (or Hex Drive bit with a 1/4" socket), tighten all the bolts.



Place the cover plate over the base plate.



(Slide in adaptor plates diagonally if required.) Add washers and M6 bolts (longer bolts with more adaptor plates) to complete the installation.